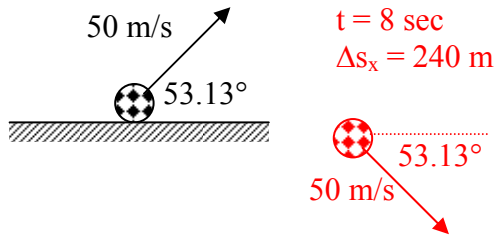


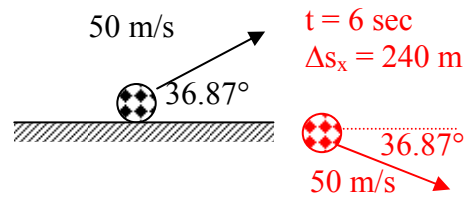
W2.06A**PROJECTILES A - KEY**

[A] Find the range (Δs_x) for each of the following projectiles. [B] Find the magnitude & direction of the ball's velocity the instant before it strikes the ground.

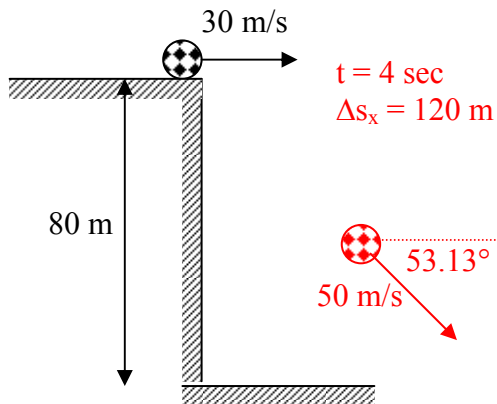
1]



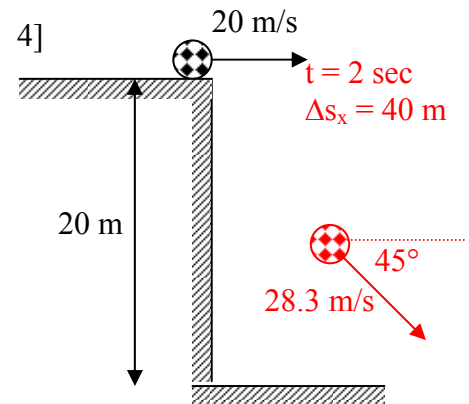
2]



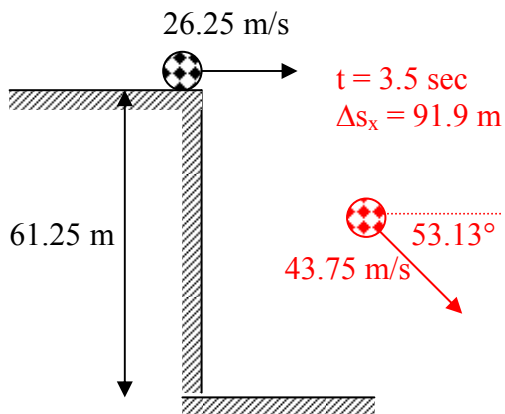
3]



4]



5]



6]

